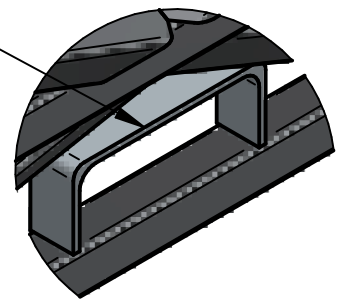


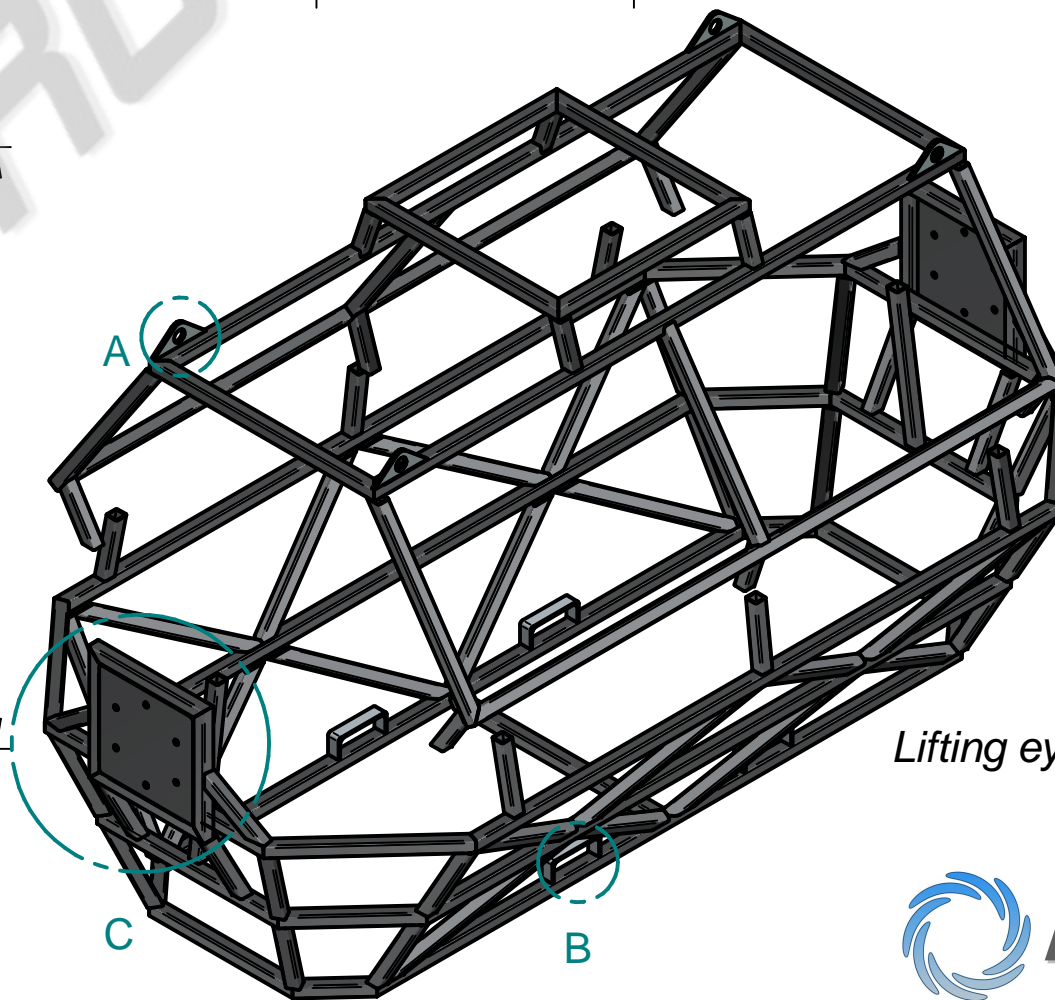
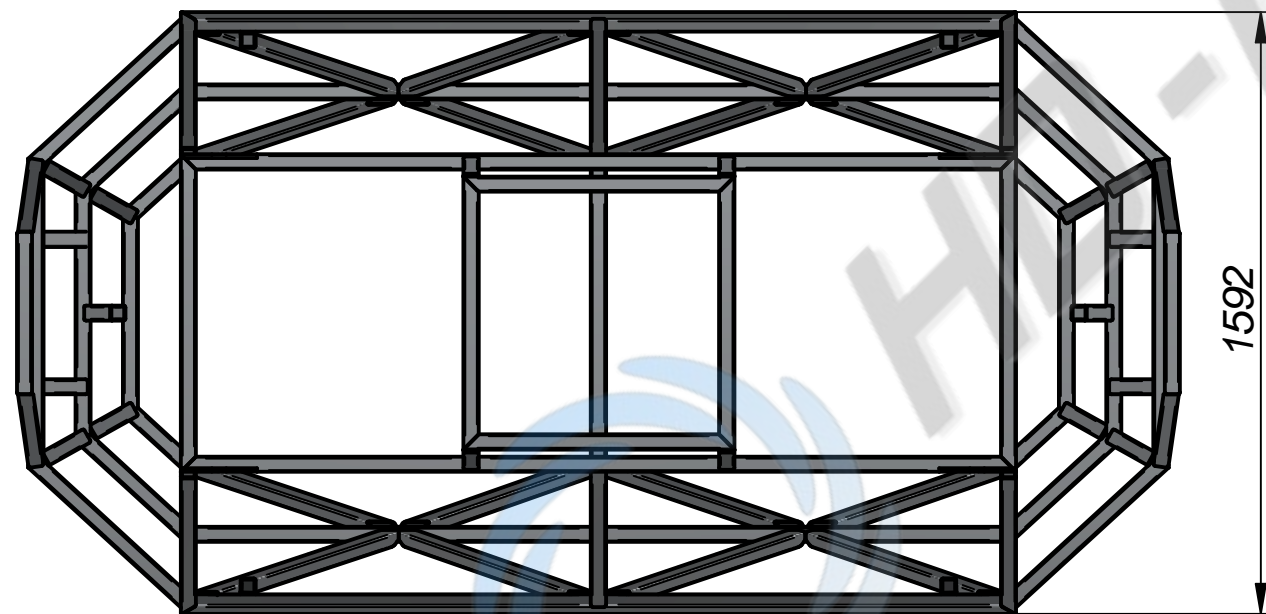
DETAIL VIEW C

Mold mounting plate

Forklift passage



DETAIL VIEW B



Lifting eye

DETAIL VIEW A



Weight: 241,47 kg

2500 Horizontal Mold